

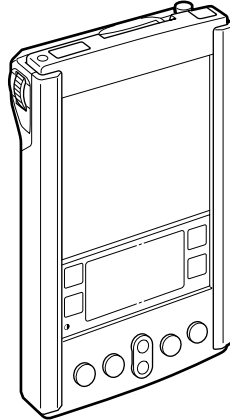
PEG-S300

SERVICE MANUAL

US Model

Ver 2-2000J

All the supplementary information are attached at the end of data files.



“BOARD REPAIR” is internal distribution only.

SPECIFICATIONS

Power requirements

AC power adapter (supplied) DC5.7V (dedicated connector)
Battery Lithium ion battery (built-in)

Battery life

15 days* (based on an average of 30 minutes use per day)

Memory

8MB (DRAM)

LCD display mode

160 × 160 dot (monochrome)

External input/output

Interface connector
IrDA (1.2)

Memory Stick slot

Dimensions

Approx. 2 ⁷/₈ × 4 ⁵/₈ × ⁵/₈ inches (70.9 x 114.7 x 15.2 mm) (w/h/d)

Mass

Approx. 4.27 oz (121g) (supplied stylus included)

Operating temperature

41°F - 95°F (5°C - 35°C)

* The battery life span varies depending on the temperature and conditions of use.

Design and specifications are subject to change without notice.

PERSONAL ENTERTAINMENT
ORGANIZER

SONY®

Information in this document is subject to change without notice.

Sony and VAIO are trademarks of Sony. Intel logo and Intel Inside logo are registered trademarks of Intel Corporation. Pentium MMX is a trademark of Intel Corporation. Microsoft, MS-DOS, Windows, the Windows 95 and Windows 98 logo are trademarks of Microsoft Corporation.

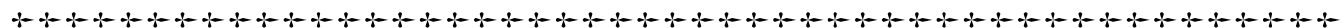
All other trademarks are trademarks or registered trademarks of their respective owners. Other trademarks and trade names may be used in this document to refer to the entities claiming the marks and names or their products. Sony Corporation disclaims any proprietary interest in trademarks and trade names other than its own.

Caution Markings for Lithium/Ion Battery - The following or similar texts shall be provided on battery pack of equipment or in both the operating and the service instructions.

CAUTION: Danger of explosion if battery is incorrectly replaced. Replace only with the same or equivalent type recommended by the manufacturer. Discard used batteries according to the manufacturer's instructions.

CAUTION: The battery pack used in this device may present a fire or chemical burn hazard if mistreated. Do not disassemble, heat above 100°C (212°F) or incinerate.

Dispose of used battery promptly.
Keep away from children.



Service and Inspection Precautions

1. Obey precautionary markings and instructions

Labels and stamps on the cabinet, chassis, and components identify areas requiring special precautions. Be sure to observe these precautions, as well as all precautions listed in the operating manual and other associated documents.

2. Use designated parts only

The set's components possess important safety characteristics, such as noncombustibility and the ability to tolerate large voltages. Be sure that replacement parts possess the same safety characteristics as the originals. Also remember that the Δ mark, which appears in circuit diagrams and parts lists, denotes components that have particularly important safety functions; be extra sure to use only the designated components.

3. Always follow the original design when mounting parts and routing wires

The original layout includes various safety features, such as inclusion of insulating materials (tubes and tape) and the mounting of parts above the printer board. In addition, internal wiring has been routed and clamped so as to keep it away from hot or high-voltage parts. When mounting parts or routing wires, therefore, be sure to duplicate the original layout.

4. Inspect after completing service

After servicing, inspect to make sure that all screws, components, and wiring have been returned to their original condition. Also check the area around the repair location to ensure that repair work has caused no damage, and confirm safety.

5. When replacing chip components...

Never reuse components. Also remember that the negative side of tantalum capacitors is easily damaged by heat.

6. When handling flexible print boards...

- The temperature of the soldering-iron tip should be about 270C.
- Do not apply the tip more than three times to the same pattern.
- Handle patterns with care; never apply force.

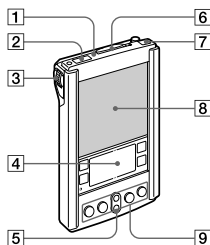
Caution: Remember that hard disk drives are easily damaged by vibration. Always handle with care.

TABLE OF CONTENTS

1. GENERAL	5
2. DISASSEMBLY	
2-1. Upper Cabinet Ass'y	7
2-2. LCD (Liquidcrystal Indicator Module)	7
2-3. CNX-98 MOUNT, Battery Unit	8
2-4. MP-23 (C) COMPL.	8
3. EXPLODED VIEW	
3-1. Exploded View and Parts List	9
3-2. Accessories, Packing Materials and Parts List	10

Designation and function of each component

Front view of Sony handheld



1 Memory Stick Indicator

It lights up while Sony handheld is accessing to Memory Stick media.

2 Infrared Communication Port

Uses infrared technology to transmit data to and receive data from other Palm OS handhelds, and to perform HotSync operations.

For more information, refer to the Sony handheld Operating Instructions.

3 Jog Dial

Used to select and execute applications or items.

For details, see "Using the Jog Dial control".

4 Graffiti Writing Area

The area where you write letters and numbers using the Graffiti® alphabet. See "Using Graffiti writing to enter data" to learn how to write Graffiti characters.

7

8

5 Scroll Button

Displays text and other information that extends beyond the area of the screen. Pressing the lower half of the scroll button scrolls down to view information below the viewing area, and pressing the upper half of the button scrolls up to view the information above the viewing area.

6 Memory Stick Slot

Insert Memory Stick media into this slot.

7 Power Button


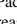


Used to turn the Sony handheld on or off.

Also, pressing this button for longer than 2 seconds turns the back light on or off.

8 Screen

Displays the applications and information stored in your Sony handheld. It is touch-sensitive and responds to the stylus.

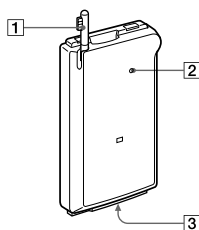
9 Application Buttons

Activates the individual applications that correspond to the icons on the buttons:  Date Book,  Address Book,  To Do List, and  Memo Pad. See the Sony handheld Operating Instructions for details on reassigning these buttons to activate any application on your Sony handheld.



If your Sony handheld is turned off, pressing any application button activates the Sony handheld and opens the corresponding application.

Rear View of Sony handheld



1 Stylus

Used to tap icons and buttons on the screen, or to enter characters.

For details, see "Using the stylus."

2 Reset Button

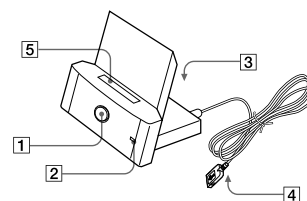
Under normal use, you should not have to use this button.

For more information, refer to the Sony handheld Operating Instructions.

3 Interface Connector

Used to connect to the cradle, or AC adapter.

Cradle



1 HotSync Button

Data in the Sony handheld can be synchronized with the data saved on a computer.

For more detailed information, see "Exchanging and Updating Data Using HotSync Operations" in the Sony handheld Operating Instructions.

2 Cradle Indicator

When you connect the AC adapter to the cradle and place the Sony handheld on the cradle, this indicator lights in green and charging will start.

3 AC adaptor Connector

You can connect an AC adapter.

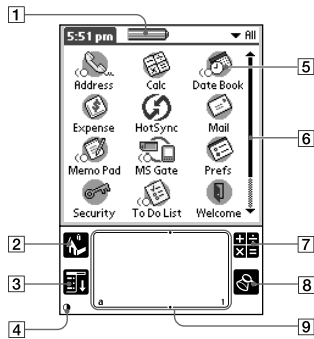
4 USB Connector

You can connect a USB connector on the computer.

5 Interface Connector

You can connect a Sony handheld.

Screen



1 Battery remaining amount display

Display of remaining on battery.

2 Home Icon

Tap this icon and the Application Launcher appears displaying a list of applications.

3 Menu Icon

Tap this icon and a menu of current applications appears.

4 Contrast Adjustment Icon*

Tap this icon to adjust the contrast of the Sony handheld screen.

*If the digitizer preferences are not set correctly, this screen does not appear. Please set the preferences correctly.

5 Application Icon

Tap this icon to select an application.

6 Scroll Bar

Drag this bar to scroll the screen.

7 Calculator Icon

Tap this icon to open the Calculator.

8 Find Icon

Tap this icon to open the find screen.

9 Graffiti Writing Area

This area is for hand-writing input with Graffiti text.

SECTION 2 DISASSEMBLY

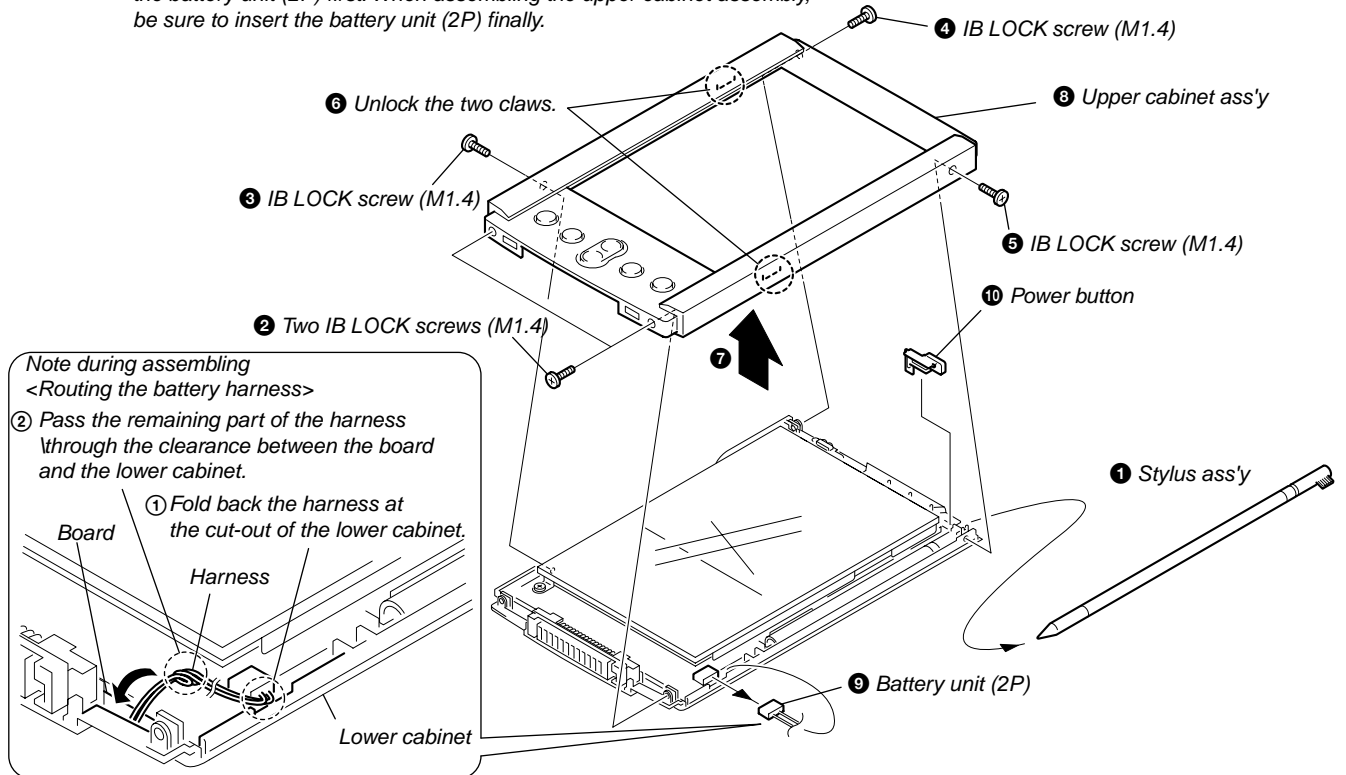
• Disassemble the unit in the order as shown below.

Set ➔ Upper cabinet ass'y ➔ LCD (Liquidcrystal indicator module) ➔ CNX-98 mount ➔ Battery unit ➔ MP-23 (C) COMPL.

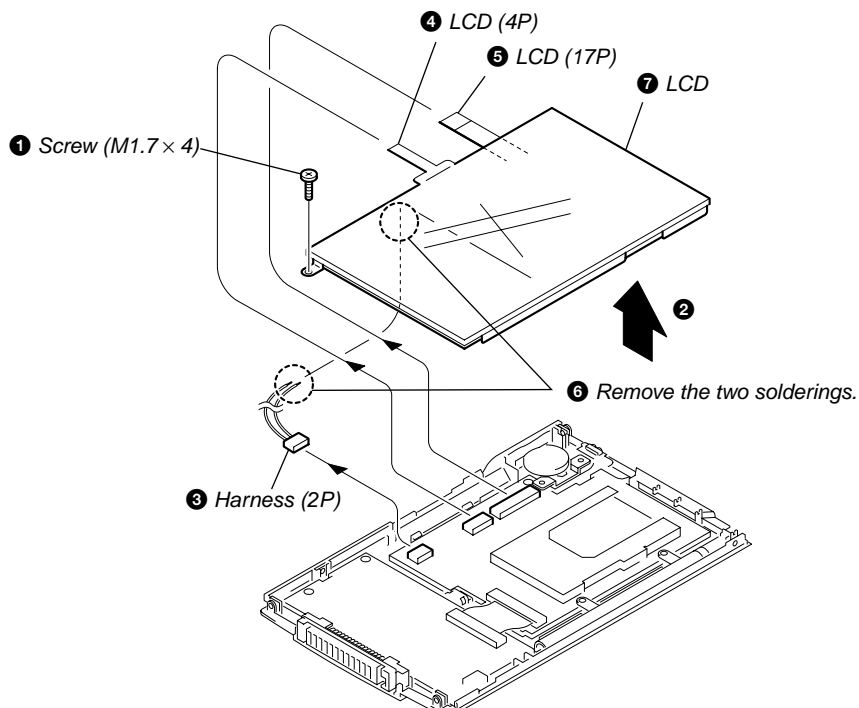
Note : Follow the disassembly procedure in the numerical order given.

2-1. UPPER CABINET ASS'Y

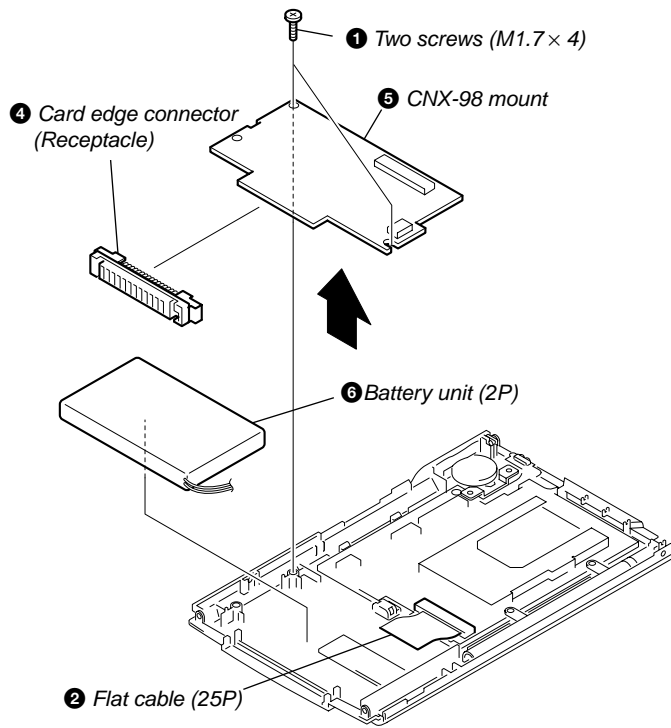
Note: After removing the upper cabinet assembly, be sure to remove the battery unit (2P) first. When assembling the upper cabinet assembly, be sure to insert the battery unit (2P) finally.



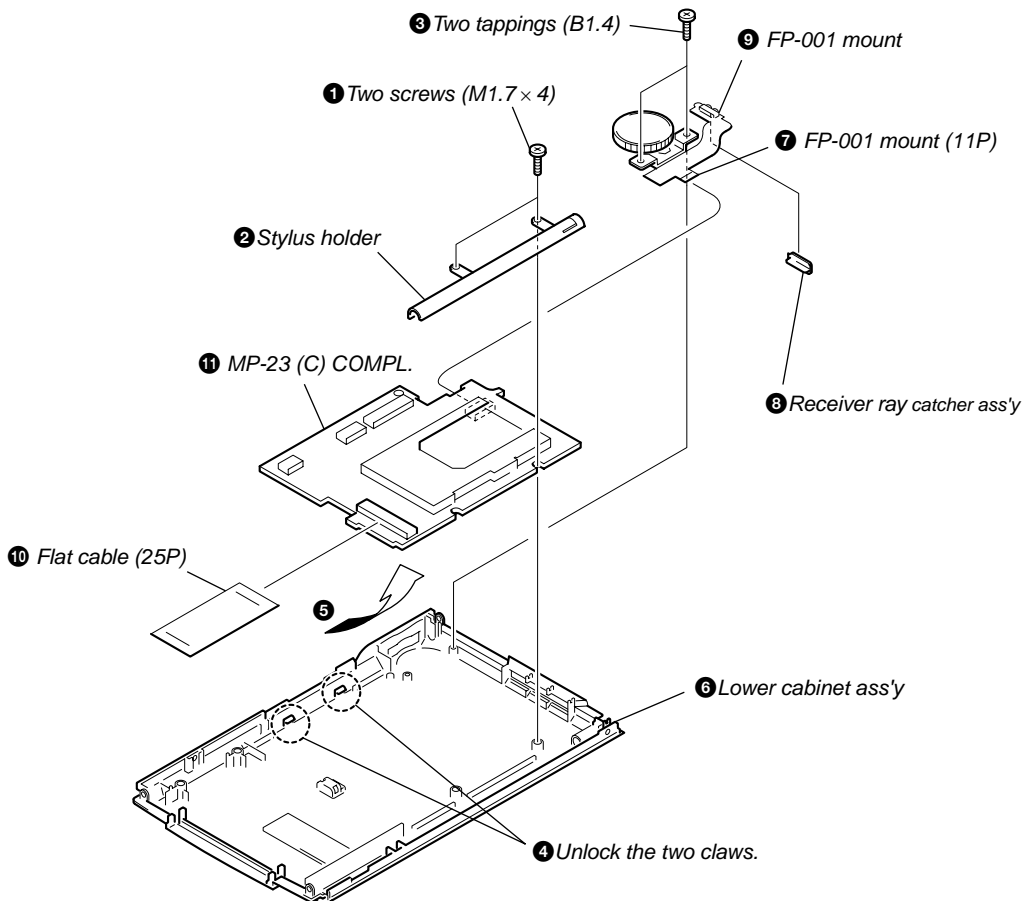
2-2. LCD (LIQUIDCRYSTAL INDICATOR MODULE)



2-3. CNX-98 MOUNT, BATTERY UNIT



2-4. MP-23 (C) COMPL.



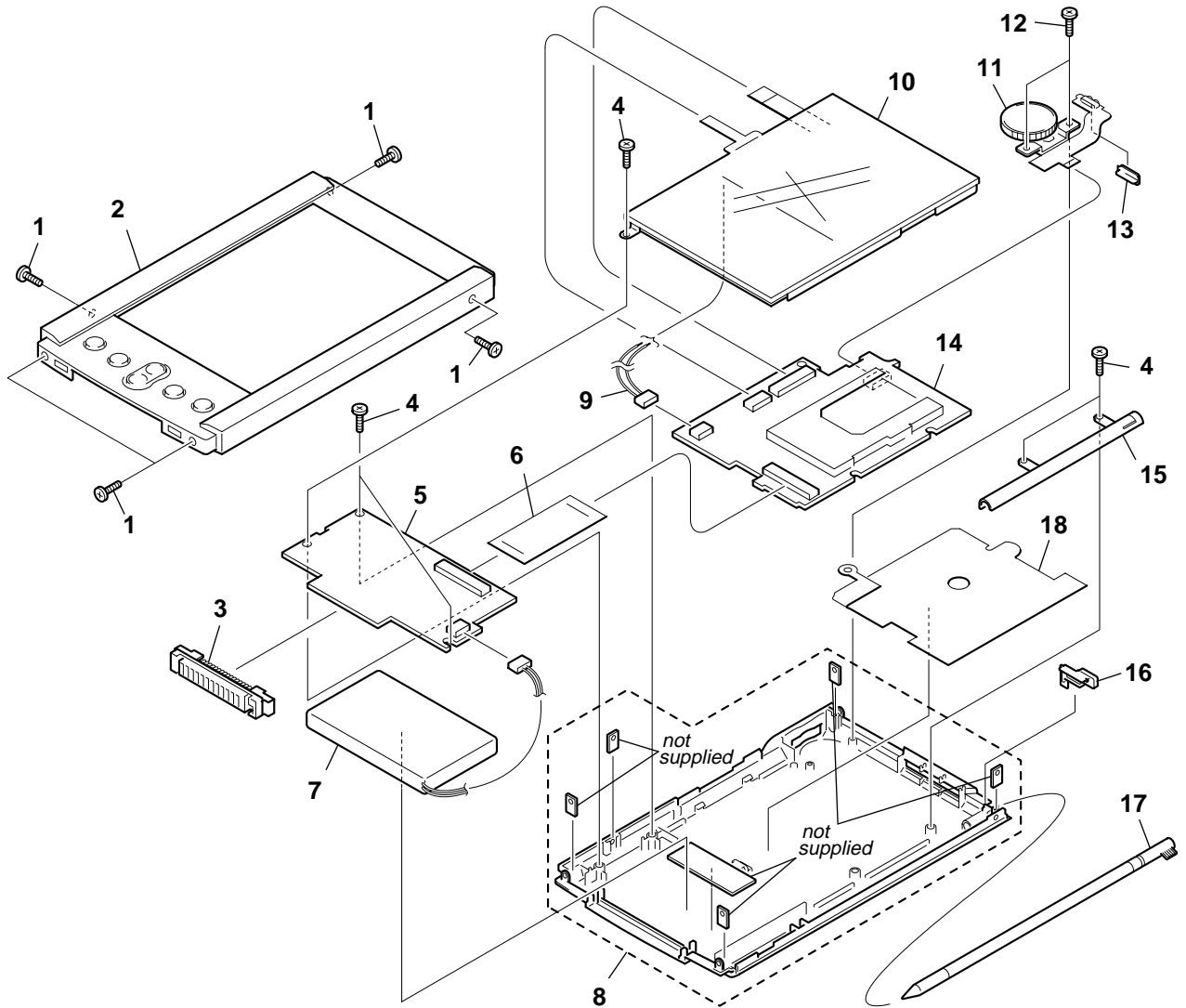
SECTION 3 EXPLODED VIEW

NOTE:

- -XX, -X mean standardized parts, so they may have some differences from the original one.
- Items marked "S" in the S/P column are normally required for routine service work. Items marked "O" are not stocked since they are seldom required for routine service. Some delay should be anticipated when ordering these items.

The components identified by mark \triangle or dotted line with mark \triangle are critical for safety. Replace only with part number specified.

3-1. EXPLODED VIEW AND PARTS LIST



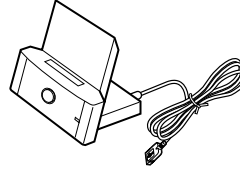
S/P	Ref.No.	Part No.	Description
S	1	4-651-332-01	SCREW(M1.4), IB LOCK
S	2	X-4623-020-2	CABINET ASSY, UPPER
S	3	1-794-911-11	CONNECTOR, CARD EDGE (RECE)
S	4	3-713-791-71	SCREW(M1.7X4)
S	5	A-8066-278-A	CNX-98 MOUNTED PWB
S	6	1-757-241-11	CABLE, FLAT (FFC)
S	7	1-476-326-11	BATTERY UNIT, LIS1161
S	8	X-4623-022-1	CABINET ASSY, LOWER
S	9	1-757-240-11	CORD, CONNECTION

S/P	Ref.No.	Part No.	Description
S	10	1-804-205-11	INDICATOR MODULE, LIQUIDCRYSTAL
S	11	A-8066-279-A	FP-001 MOUNTED PWB
S	12	4-650-903-01	TAPPING (B1.4)
S	13	X-4623-216-1	CATCHER ASSY, RECEIVER RAY
S	14	A-8066-287-A	MP-23 (C) COMPLETE PWB
S	15	4-648-945-01	HOLDER, STYLUS
S	16	4-648-936-01	BUTTON, POWER
S	17	X-4623-208-1	STYLUS ASSY
S	18	4-649-922-02	PAPER SHIELD

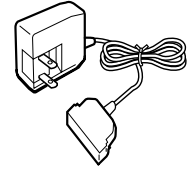
3-2. ACCESSORIES, PACKING MATERIALS AND PARTS LIST

S/P	Ref.No.	Part No.	Description
ACCESSORIES & PACKING MATERIALS *****			
S	1	1-476-321-11	CRADLE (USB)
△S	2	1-476-323-11	ADAPTOR, AC (UC)
S	3	4-648-960-01	CASE, SOFT
S		4-649-957-12	MANUAL, INSTRUCTION (OPERATING INSTRUCTIONS)
S		4-649-988-12	MANUAL, INSTRUCTION (FIRST READ)
S		4-650-229-11	MANUAL, INSTRUCTION (PICTUREGEAR POCKET OPERATING)

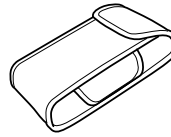
1
Cradle (1)



2
AC adapter (1)



3
Soft cover (1)



The components identified by mark △ or dotted line with mark △ are critical for safety. Replace only with part number specified.

This manual and the constituent data may not be replicated, copied nor reprinted in whole or in part without prior written authorization of Sony Corporation.

PEG-S300

SONY®

US Model

SERVICE MANUAL


SERVICE MANUAL BOARD REPAIR


SUPPLEMENT-1

File this supplement-1 with the Service Manual (9-928-164-□□) and a back-page copy of this supplement-1 to the Service Manual Board Repair (9-928-164-□□).

1. Change of the Parts List page 1
2. Adding the Adjustment Items page 2

1. Change of the Parts List (Refer to page 9 in the Service Manual)

 ; Changed portion.

Page	Former				New			
	S/P	Ref.No.	Part No.	Description	S/P	Ref.No.	Part No.	Description
9	S	8	X-4623-022-1	CABINET ASSY, LOWER	S	8	X-4623-316-1	CABINET ASSY (B/W), LOWER 

2. Adding the Adjustment Items (Refer to page 33 in the Service Manual Board Repair.)

Perform the procedures in the order of
 “4-4. WRITING THE SMALLROM OF VER. RC1.8” → “4-5. USER ID WRITING” → “4-6. BIG ROM WRITING” → “4-7. REFURBISHING”

4-4. WRITING THE SMALLROM OF VER. RC1.8

Required equipment: PC (Windows98 installed)
 Memory stick (MSA-8AN: 8MB)
 Writing software (CD-ROM)
 (jig No.: J-2500-489-2)
 Supplied AC adapter (1-476-323-11)

Preparation:

Start up the writing software jig (J-2500-489-2) on the PC and change the display to show the message “Displays all the files and folders”.

Insert the memory stick to the PC.

Copy the following data of the writing software to the directory under “Palm/programs/msfiles” of the memory stick.

If the above directory does not exist, create the directory.

The required data is different depending on the model. Be sure to copy the data corresponding to your model.

- RC1.8USMonoSmallROM.prc (PEG-S300 US)
- SmallROMWriter.prc (Common)

1. Insert the memory stick to the unit.
2. Tap “MS Gate” and select “MS” from the drop-down list at the upper right corner.
3. Select the SmallROMWriter.prc file and the following relevant model file to copy them.
 - RC1.8USMonoSmallROM.prc (PEG-S300 US)
4. Tap “Home”, then check the remaining amount of the battery. (It is recommended that 50% or more of the battery power remain.) Leave the AC adapter connected. Select and tap “SmallROM...” on the home to display the version.
5. When the displayed version is SmallROM=RC1.6..., proceed to step 6 and perform RC1.8SmallROM writing. When the displayed version is SmallROM=RC1.8..., proceed to step 8 and erase the copied file.
6. Tap “UP Date”, and confirm that a beep sounds for two to three seconds and the message “UPDate Complete!” appears.
7. Tap “Check”. When the displayed version is RC1.8..., it means that upgrading is completed.
8. Perform the hard reset or delete the file copied in step 3 from the MS Gate.

4-5. USER ID WRITING (USING SERIAL CRADLE)

Required equipment: PC (Windows98 installed)
 Serial cradle (PEGA-SC500)
 Writing software (CD-ROM)
 (jig No.: J-2500-489-2)

Preparation:

Install Sony PDA Palm Desktop in the PC and set up the environment for using HotSync by USB.

Terminate the HotSync manager and Sony PDA USB switcher.

1. Turn on the power of the unit and set the serial cradle.
2. Start up the writing software jig (J-2500-489-2) “Flash ID/Hand/FlashIdHand” on the PC and click the check button of ID delete.
3. While pressing the JOG dial, press the Reset button. (Release the Reset button first and keep pressing the JOG dial for a while.)
4. When the message “ID Erase completion” appears, input the value to be written to “model” and “serial”.
Input “003” for “model”.
5. While pressing the JOG dial, press the Reset button. (Release the Reset button first and keep pressing the JOG dial for a while.)
6. When “WRITE” becomes enabled on the PC, click it and confirm that the message “Write completion” appears.
7. Press the Reset button to restart the OS and turn off the power.

4-6. BIG ROM WRITING (USING USB CRADLE)

Required equipment: PC (Windows98 installed)
 USB cradle (PEGA-UC500)
 Writing software (CD-ROM)
 (jig No.: J-2500-489-2)

Preparation:

Install Sony PDA Palm Desktop in the PC and set up the environment for using HotSync by USB.

Terminate the HotSync manager and Sony PDA USB switcher.

1. Turn on the power of the unit and set the USB cradle.
2. Start up the writing software jig (J-2500-489-2) “Big ROM Writer” on the PC.
3. While pressing the JOG dial, press the Reset button. (Release the Reset button first and keep pressing the JOG dial for a while.)
4. When the input display of the writing software appears, select the desired model file from the followings and write it.
 - EZRef_enUSBIGAllRelease.rom (PEG-S300 US)

4-7. REFURBISHING

1. Upgrade the SmallROM version. (Refer to Section 4-4.)*
2. Type the new serial number to the user ID. (Refer to Section 4-5.)
3. Replace the serial number label on the unit with a new one.
4. Pack the unit in a new individual package.
5. Attach a new barcode label on the carton.

* Upgrade the SmallROM only when the current SmallROM version is RC1.6.

Do not upgrade the SmallROM version when it is RC1.8.

This manual and the constituent data may not be replicated, copied nor reprinted in whole or in part without prior written authorization of Sony Corporation.